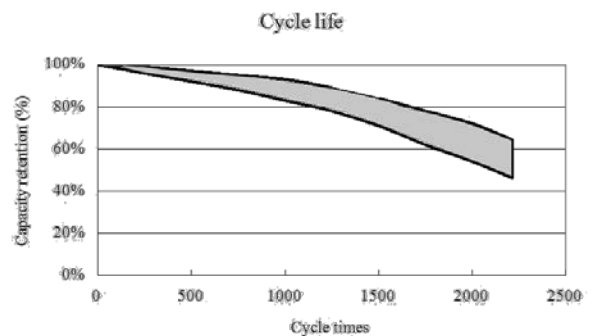
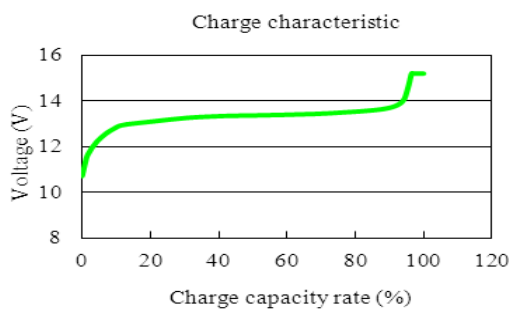


HJTZ7S-FP

12.8V 2.4Ah

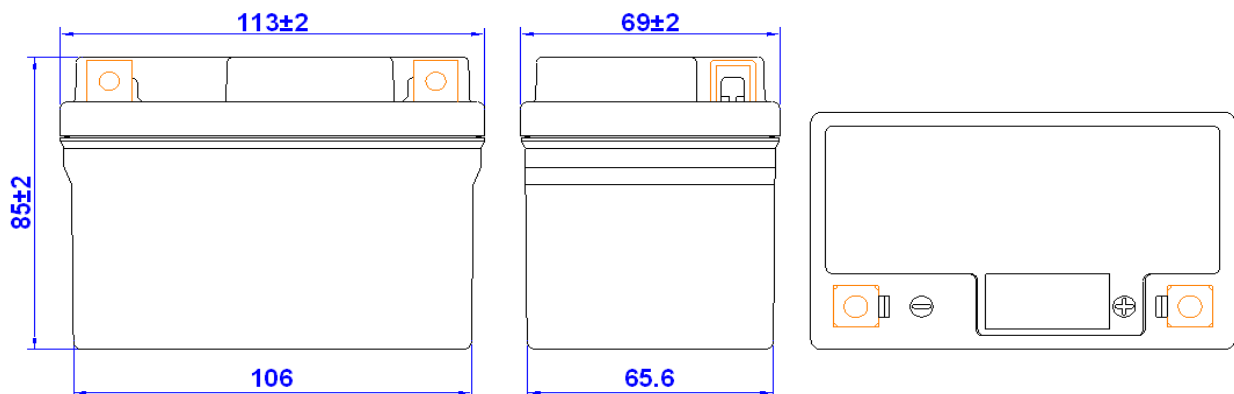
It's specially designed as high-performance lithium batteries for start. It's characteristics is 1/3 weight of normal lead-acid battery, non pollution, super cranking power, quick recharge capability and excellent cycle life.

Specification	
Voltage: (V)	12.8
Capacity(C10, 25°C): (Ah)	2.4
Weight: (kg)	Approx. 0.6
Charging Current : (A)	Standard: 1.0A , Max: 12.0A
Charging Voltage Limit: (V)	14.4± 0.5
High Rate Discharge : (48A,25°C)	5s Voltage ≥10.0V, 90s Voltage ≥7.2V
Cold Cranking AMPS By Digital Tester	150
Operating Temperature Range	Discharge : -10°C~60°C Charge : 0°C~45°C Storage : - 20°C~40°C
Cycle Life	≥1000
Self Discharge	Batteries can be stored for 12 month at 25°C. Please charge batteries before using. For higher temperature the duration will be shorter.



Dimension (±2mm)

L: 113, W: 69, H: 85



ISO9001

ISO14001

HANGZHOU SKYRICH POWER CO., LTD